

# KOCOM

## VIDEOPHONE

# KCV-544SD

**Full Touch SCREEN AHD CCTV CONNECTION**



MICRO SD CARD



Motion Detection



GUI Menu



LCD  
1024 x 600



Door Open



Plug & Play

- High resolution 1024 X 600 Color Digital LCD (NTSC / PAL Auto switching)
- Slim, Compact & Luxury Design
- Full Touch capacitive screen
- Easy to operate using GUI
- Digital Photo Album
- Digital Video Recorder
  - Motion Detection
  - Memory Size : up to 128Gb(SDXC)
  - Video Format : Moving picture (H.264), Still cut : JPEG
- Multiple language support : English, Spanish and Russian
- Connection up to 2 Door cameras or 1 Door Camera and 1 CCTV camera with 2 monitors and 2 sub audio phone(KIP-32G)
- Call & Communication with visitor & Door open function
- Door Opener Connectable from Either Monitor or Camera



### Compatible Door Cameras



KC-Q81P



KC-MC24



KC-MC20



KC-MC30



# FULL HD MEMORY VIDEOPHONE KCV-544SD SDXC

*Kocom's High Performance & High Quality Security phone protects your life*

Perfect Item for Your Security & Home Decoration, Easy to Install Everywhere like Single House, Multi Apartment, Condominium & Villa.



General Screen

## • Bright and Clear Image

Thanks to Kocom's LED technology, brightness and image quality are improved more than 50%.



KCV-544SD Screen

## • 4 wire Easy Installation

Anyone can install only with 4 wires easily.



## • GUI & Full Touch Capacitive Screen

Convenient and easy to operate using Full Touch GUI.



## • Photo Album

Keep your valuable photo in SD card & easily Check using KCV-544SD whenever you want.



## • SD Card interface(SDXC)

Being Applied SD Card Interface, KCV-544SD works as a Triple Functioning Equipment like a Videophone, Photo Album, and Mini DVR.



## • Mini DVR

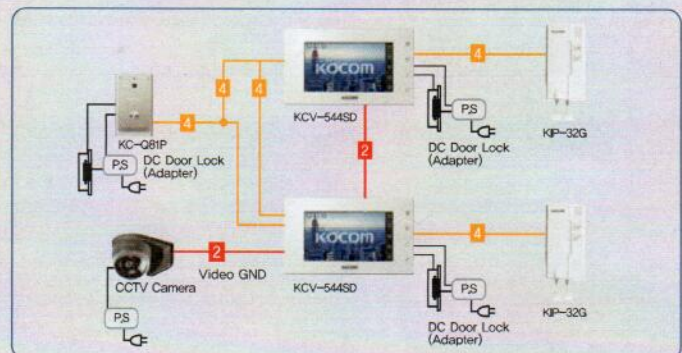
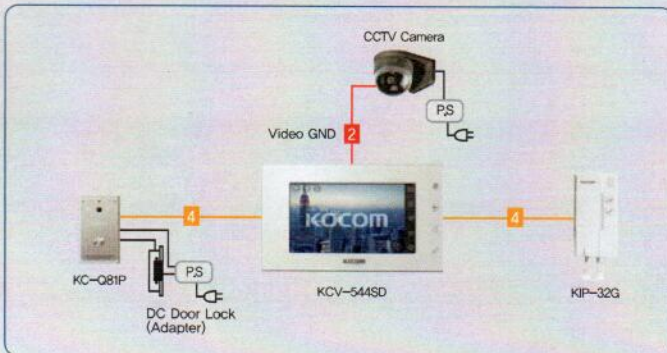
Connecting CCTV cameras and saving moving picture are freely available like a Mini DVR



## • High definition 1080P CCTV(Full HD)

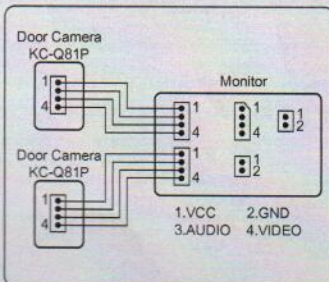
AHD / TVI / CVI connection

## System Diagram

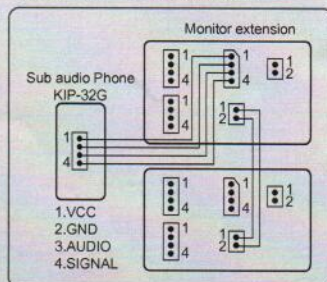


## Wiring Diagram

### • Camera Connection



### • Sub Audio Phone Connection



## Specifications

- Power : AC 100V – AC 240V, 50/60Hz
- Power consumption : Stand by 0.8W (±20%), Max 13W (±20%)
- LCD : 7" Color Digital LCD (NTSC / PAL Auto switching)
- Mount Type : Surface Mount
- Wiring : Camera (4 wire), Sub Audio phone (4 wire), Extension monitor (2 wire)
- Max wiring distance : UTP(CAT5) : 100m TIV 08mm : 120m, TIV 1.0mm : 150m
- Communication system : Handsfree type
- Ambient temperature : 0°C ~ 40°C
- Dimension : 220(W) x 130(H) x 33(D) mm